

Warewashing
Short Small Double Skin GW electronic,
cold rinse, drain pump & rinse aid
dispenser, 30b/h - no plug

ITEM # _____

MODEL # _____

NAME # _____

SIS # _____

AIA # _____


402212 (ESSICP3)

Glasswasher (short small), with double skin, electronic control, cold rinse, built-in drain pump and rinse aid dispenser, 3 cycles, 30b/h - no plug (400V/3N)

Short Form Specification

Item No. _____

Unit shall be Electrolux Professional green&clean Glasswasher type hot water rinsing using rack dimension of 400*400mm. Electrical characteristics to be 400 volts three phase 50Hz operation. Washing performance is ensured by a powerful wash pump, revolving washing spray arms both from bottom and top. Rinse temperature and pressure guaranteed by built in pressure boiler. Three automatic cycles of 120/300/120 seconds suitable for glasses and small plates/ saucer. Third cycle having cold rinse after hot rinse phase provides hygiene glasses and cold enough to handle. Double skin counter-balance door. Door opening of 210mm. Double skin cabinet. Pressed tank with round corners. 304 stainless steel construction to include door, frame, wash tank, tank filter, wash arms and rinse arms. Electronic control with temperature display. The unit shall include drain pump and rinse aid dispenser pump and is equipped with electric cable.

Main Features

- Built-in rinse aid dispenser with automatic initial and continuous cycle loading for perfect result while minimizing service and maintenance needs.
- Low noise level.
- Built-in pressure boiler designed to raise incoming water to a guaranteed minimum temperature of 82° C for sanitizing rinse. No external boiler is required.
- Maximum capacity of 30 racks per hour.
- Washing system endowed with rotating washing arms from both top and bottom, high powered wash pump and large capacity wash tank guarantee professional washing.
- Easy service access to main components without moving the unit.
- Optional rinse booster pump available to be installed on site.
- Incorporated Soft Start feature to offer additional protection to more delicate items.
- Equipped with drain pump for easy and quick installation without opening the machine.
- Extra program to cold rinse beer and wine glasses providing sanitized glasses, cool enough to handle.
- New electronic control panel for easy setup of the working parameters and self diagnosis.
- 120/300/120 seconds cycle, the third cycle includes cold rinse.

Construction

- Completely closed on the back by a cover plate.
- Unit to feature rinse aid dispenser pump.
- Wash/rinse arms and nozzles in stainless steel.
- Finished in top quality stainless steel with double skinned construction to aid durability and reduce noise.
- Internal components (arms and filter) are easy extractable.
- Large tank filter collects the soil to keep the wash water clean for a longer time and have better washing performance.
- Deep drawn pressed wash tank with fully rounded corners, sloped towards the drain to prevent dirt buildup, provides fast drainage in just a few minutes. With no welding points the pressed tank offers a guaranteed water tight solution.
- 304 AISI stainless steel front panel, load bearing frame, wash tank, tank filter, wash and rinse arms.

Sustainability

- Insulated double skin door construction preserves heat inside the tank to lower energy consumption and the noise. Counter-balance mechanism minimizes impact when opening and closing.

APPROVAL: _____

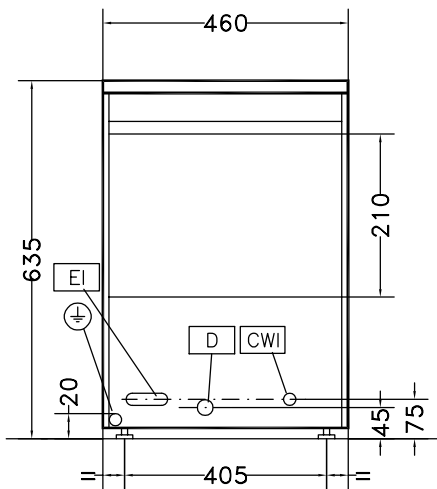
Included Accessories

- 1 of Stainless steel tank filter PNC 864003
- 1 of Yellow cutlery container PNC 864242
- 1 of Square basket for glasses 400x400x150mm PNC 864470

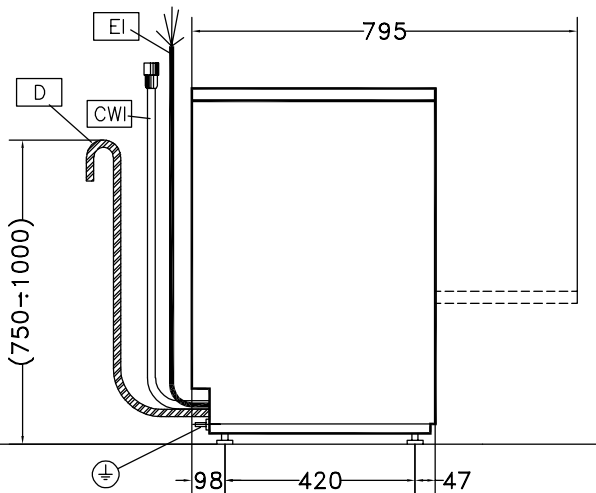
Optional Accessories

- 12lt external manual water softener PNC 860412
- 8lt external automatic water softener PNC 860413
- 20lt external manual water softener PNC 860430
- Filter for partial demineralization PNC 864017
- Kit to measure total and partial water hardness PNC 864050
- Rinse booster pump kit for single tank pressure dishwasher PNC 864051
- Yellow cutlery container PNC 864242
- Filter for total demineralization PNC 864367
- Pressure reducer for single tank dishwasher PNC 864461
- Kit detergent dispenser PNC 864469
- Kit 4 plastic boxes for cutlery - yellow PNC 865574
- Cover rack for small and light items (500x500 baskets) PNC 867016
- Basket for glasses (395x395x115) PNC 867033
- Insert for 12 saucers, 290X90x75mm PNC 867048
- Basket for glasses (h 100 mm) PNC 867053
- Basket for glasses (h 200 mm) PNC 867054
- Basket for glasses and saucers/ cutlery inserts PNC 867055
- Basket for glasses with angled base PNC 867056
- Round basket kit with square frame PNC 867057
- Insert for "flute" glasses PNC 867058
- Insert for 14 saucers PNC 867060
- Inclined insert for cups PNC 867061

Front

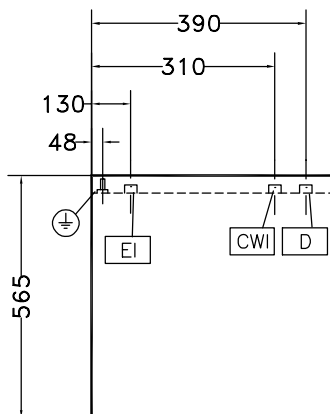


Side



CWI = Cold Water inlet 1 (cleaning)
 D = Drain
 EI = Electrical inlet (power)
 EO = Electrical Outlet
 WI = Water inlet
 XR = Rinse aid connection

Top



Electric

| | |
|---------------------------------|-------------------|
| Supply voltage: | |
| 402212 (ESSICP3) | 400 V/3N ph/50 Hz |
| Default Installed Power: | 4.8 kW |
| Boiler heating elements: | 4,5 kW |
| Tank heating elements: | 0,8 kW |
| Wash pump size: | 0.3 kW |

Water:

| | |
|------------------------------------|-----------|
| Pressure, bar min/max: | 1.8-3 bar |
| Drain line size: | 27mm |
| Washing tank capacity (lt): | 6 |
| Boiler Capacity (lt): | 5 |
| Incoming water line size: | G 3/4" |

Key Information:

| | |
|-------------------------------------|---------------------|
| Baskets per hour*: | 30 |
| Working cycles time (sec.): | 120/300/120 |
| Wash temperature: | 55-65°C |
| Cell dimensions - width: | 400 mm |
| Cell dimensions - depth: | 400 mm |
| Cell dimensions - height: | 210 mm |
| Rinse temperature: | 80-90 °C |
| External dimensions, Width: | 460 mm |
| External dimensions, Depth: | 565 mm |
| External dimensions, Height: | 635 mm |
| Net weight: | 34 kg |
| Shipping weight: | 40 kg |
| Shipping height: | 780 mm |
| Shipping width: | 520 mm |
| Shipping depth: | 640 mm |
| Shipping volume: | 0.26 m ³ |

Sustainability

| | |
|--|----------|
| Water supply temperature*: | 10-55 °C |
| Water consumption per cycle (lt): | 2.3 |
| Noise level: | 69 dBA |